



VASKA C11

gas-fireplace

user manual

 **faber**

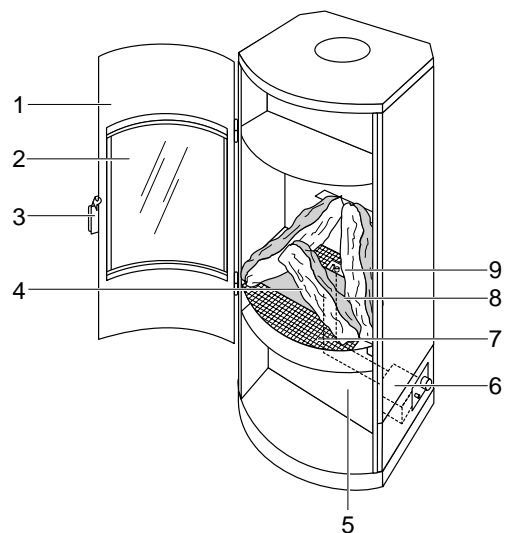
Saturnus 8 NL-8448 CC Heerenveen
Postbus 219 NL-8440 AE Heerenveen
T. +31(0)513 656500
F. +31(0)513 656501



40010523 -
0810

 **faber**

DESCRIPTION OF THE FIREPLACE

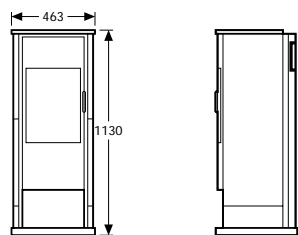
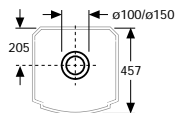


- | | |
|----------------------|------------------|
| 1. Door | 6. Control block |
| 2. Window | 7. Bottom plate |
| 3. Handle | 8. Burner |
| 4. Wood blocks | 9. Pilot burner |
| 5. Inspection screen | |

CONTENTS

1. FOREWORD	GB 2
2. INTRODUCTION	GB 3
3. SAFETY INTRUCTIONS	GB 4
4. PREPARING THE APPLIANCE FOR USE	GB 6
4.1 Opening the door	GB 6
4.2 Placing of the wood set	GB 6
4.3 Fuel	GB 7
4.4 Operation of the appliance	GB 7
4.5 Lighting/extinguishing the pilot flame	GB 8
4.6 When the pilot flame goes off	GB 8
4.7 Lighting/extinguishing the burner	GB 9
5. CLEANING AND MAINTENANCE	GB 10
5.1 Cleaning the glass	GB 10
5.2 Care of the coated parts and ceramics	GB 10
5.3 Care of the soapstone	GB 10
6. FAULTS	GB 11
7. DISPOSAL OF THE PACKAGING AND THE APPLIANCE	GB 12

TECHNICAL DATA



1. FOREWORD

Congratulations on the purchase of your new Faber International appliance. You have made an excellent choice. A Faber product is a guarantee of years of burning comfort. Faber combines durable materials with balanced techniques.

The Vaska C11 is a Direct vent appliance. Thanks to the Direct-vent connection, the appliance can be installed in a draughtproof or fill-insulated house

Read the manual carefully before using your appliance and then keep the manual in a safe place.

Warranty: Be sure to keep both your warranty certificate and your receipt. Please quote the serial number when making service requests. This number can be found on the data plate on the inside of the door

2. INTRODUCTION

In addition to information about setting-up the appliance, its operation and maintenance, these instructions for use also contain advice about its safe use. By reading this manual you will quickly become familiar with the operation and use of the appliance

The Direct vent built-in appliances are designed for installation in living areas. The special Direct vent connections allow you to install the inserts in well-sealed living areas or areas that were insulated after construction.

The appliance has a sealed combustion chamber and should be installed as a sealed appliance. The flue gases are drawn outside by the natural draught of the apparatus itself with a combination intake and exhaust. This same natural draught draws in the air needed for combustion.

This system of concentric pipes can be equipped with a wall or roof vent outlet. To maintain the proper natural draught, there must be a minimum of one meter of concentric pipe above the appliance before the wall or roof outlet.

The Vaska C11 is equipped with a series 9000 SIT OXYPILOT. This protective device comes into operation if the concentration of carbon dioxide in the combustion air supply becomes too high (more than 2% CO₂). This can happen if the chimney has insufficient draught. If the protective device comes into operation regularly, you should consult your installer.

3. SAFETY INSTRUCTIONS

If a Gas leak is found or suspected turn off the gas supply at the meter and contact your installer or gas emergency service.

These instructions should be read carefully and retained for future reference.

The chimney must be tested to ensure that it functions properly. The regulator and thermostat circuit must also be checked and a test must be performed to see that the appliance ignites properly.

Have the flue swept each year before winter arrives. Check that it is working correctly before use.

Never place flammable material or rubbish on the burner or log set.

Do not place curtains, clothing, laundry, furniture or other flammable materials nearby the appliance. The required minimum distance is 100 cm.

The appliance has been designed for heating purposes. This means that all surfaces, including the glass, can become very warm (over 100 degrees) An exception to this are the control buttons.

IMPORTANT

A suitable Fireguard conforming to Nation Regulations should be used with this appliance to protect children, the elderly or infirm. Care should also be taken with pets.

In your own interest and that of safety, all gas appliances must be installed by competent persons. Installation must be in accordance with National Regulations. CORGI registered installers are required to work to recognised standards

If the glass pane is broken, it should be replaced before the appliance is turned on.

The VASKA C11 is available for use with natural gas and should not be converted for use with another type of gas.

The construction of the appliance must not be modified.

The appliance may only be repaired using original parts.

We recommend that you burn the appliance at its highest setting for a few hours after installing it, ensuring that there is good ventilation, so that the protective coating inside the appliance has a chance to evaporate.

We also recommend that you completely clean the front glass after burning the appliance the first week.

Provide sufficient insulation between the appliance and a natural stone fireplace.

Please bear in mind that the inspection screen must remain removable for servicing purposes.

Note:

Since the appliance is a source of heat, circulation of air occurs. Therefore it is of importance that you do not use the appliance shortly after a renovation of the home. Because of the natural circulation of air, moist and volatile components from paint, building materials, carpet etc. will be attracted. These components can settle themselves down onto cold surfaces in the form of soot.

As on all heat producing appliances, soft furnishings such as blown vinyl wallpaper placed too near to the appliance may become scorched or discoloured. This should be born in mind when installing the appliance.

4. PREPARING THE APPLIANCE FOR USE

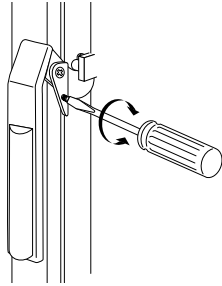


fig. 1 opening the door

4.1. OPENING THE DOOR

The fireplace door can be opened by first loosening the screw in the door handle, on the left-hand side of the window, then lifting the handle itself (see fig. 1)

4.2 LOG SET

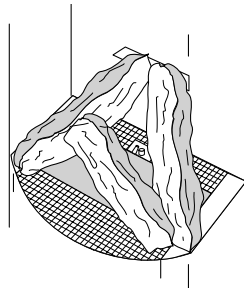


fig. 2 log set

Note! To ensure proper burning, the log set may only be arranged according to the instructions provided by Faber International (see fig. 2). Other placement can cause soot. Before arranging the log set, scatter the bag of embers over the burner. Place the longest log on the far right of the firebox, with its end resting on the support in the middle. Place the shorter log on the left, with its end resting against that of the first log, in the middle of the burner zone. Place the final log diagonally over the first two, with one end at the foot of the right-hand log and the other around the middle of the left-hand one

Close the door after arranging the log set.

4.3 FUEL

The burner of this appliance is only suitable for natural gas. You can see what the burner is set to on the identification plate. The identification plate can be found on the backside of the door.

4.4 CONTROLLING THE APPLIANCE

The control block is located on the right-hand side of the fireplace.

Control knob B is a thermostat; you can set the burner to a setting between 0 and fully on. The thermostat ensures a constant ambient temperature.

You can set the burner to between 0 and fully on using slide control C. This determines the minimum height of the flames.

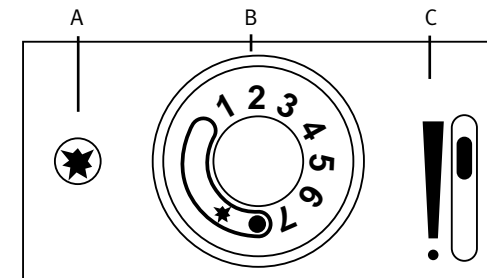


fig. 3 control block

There are three possibilities:

1. Set slide control C to setting 0 and control knob B to a setting between 1 and 7. When the appliance has reached the temperature set, it will go out; and when the temperature is too low for the setting chosen, the appliance will start to burn.
2. Turn control knob B past setting *. Regulate the height of the flames using slide control C. The flames will burn constantly at this height.
3. Set the minimum height of the flames to between settings 1 and 7 using the slide and the control knob. If the temperature falls below this setting, then the fireplace will heat up more. The flames will then rise slightly higher

4.5 LIGHTING/EXTINGUISHING THE PILOT FLAME

Lighting the pilot flame

Turn control knob B to setting ★ and push it in. Push knob A in a few times in succession until the pilot flame is ignited by a spark. You now hear a tick. Once the pilot flame is alight, keep the knob pushed in for another 30 seconds. The pilot flame will now stay alight.

Turning off the pilot flame

Turn the knob to ★, press it in and turn it to the right to the ● setting.

4.6 WHEN THE PILOT FLAME GOES OFF

Warning! When the pilot flame goes out, for whatever reason, you should wait at least 5 minutes before trying to turn it on again
Possible causes of extinction of the pilot flame are:

- operating error
- interference of the security, caused by a bad chimney functioning;
- failure in the pilot flame system;

Contact your installer when the appliance goes off regularly..

4.7 LIGHTING/EXTINGUISHING THE BURNER

Starting the burner

Turn control knob B to setting 1. The burner will light. The temperature can be set by turning the knob to the desired setting between 1 and 7, setting 7 giving the highest temperature

The slide control can only be used when control knob B has been turned past the ★.

Moving the slide control upwards causes the burner to light. The further upwards the slide control is set, the higher the flames..

Turning off the burner

The thermostatically controlled tap is switched off by setting the control knob B to the left of 1. You can now set the slide control.

The slide control is switched off by sliding it downwards to the ● setting.

When control knob B is turned to the ★ setting, only the pilot light continues to burn. Both burners are out.

When control knob B is turned to the ★ setting, only the pilot light continues to burn. Both burners are out.

5. CLEANING AND MAINTENANCE

The appliance must be cleaned and checked annually by an authorized installer. This applies for the Direct-vent system as well.

Check that:

- the gas supply, combustion chamber and flue gas vent systems are all airtight;
- the regulator and the thermocouple circuit function properly and that the burner ignites properly.

Clean (if necessary):

- the pilot system;
- the burner;
- the combustion chamber;
- the flue gas exhaust.

5.1 CLEANING THE GLASS

Depending on the intensity of use, a layer may in time form on the glass. This layer can be removed with a special glass cleaner or ceramic cook-top cleaner. Follow the instructions on the package. We advise you to have the appliance cleaned by an authorised installer. An improperly working flue and logs in the wrong positions will cause the glass to become dirtier.

5.2 CARE OF THE COATED PARTS AND CERAMICS

Polish the coated finish with a soft duster. Remove any stains using a damp cloth or lukewarm water once the fireplace has cooled down. Never use scouring agents, petrol, paraffin or other solvents to clean the fireplace

5.3 CARE OF THE SOAPSTONE

Use soap and water to remove any dirt or grease from the soapstone (remove the stones from the fireplace first). Minor scratches can be removed using fine sandpaper (240 grey waterproof).

6. FAULTS

PROBLEM	CAUSE	SOLUTION
Appliance will not light or goes out.	- Air in supply pipe (after appliance has been out of operation)..	- Venting
	- Insufficient gas pressure.	- Check that the gas tap is open and check the gas line to see if it is dirty.
	- The pilot flame is dirty.	- Clean the burner carefully with a vacuum cleaner.
	- The thermocouple contact does not engage properly.	- Check the thermocouple circuit.
Poor flame distribution.	- The oxy-pilot feature is activated.	- Direct-vent system is not closed. Contact your installer.
	- The logs are not positioned properly	- Arrange the log set properly.
	- The burner is quite dirty because of ash from combustible materials has gotten into the burner.	- Clean the burner carefully with a vacuum cleaner. Be careful not to damage the burner with the sharp edges of the vacuum cleaner.

7. DISPOSAL OF THE PACKAGING AND THE APPLIANCE

The appliance packaging is recyclable. The packaging could include the following materials:

- cardboard;
- CFC-free foam (soft);
- wood;
- plastic;
- paper.

These materials should be disposed responsibly and in conformity with government regulations.

Information on how to responsibly dispose of discarded appliances can be obtained from the local authorities.